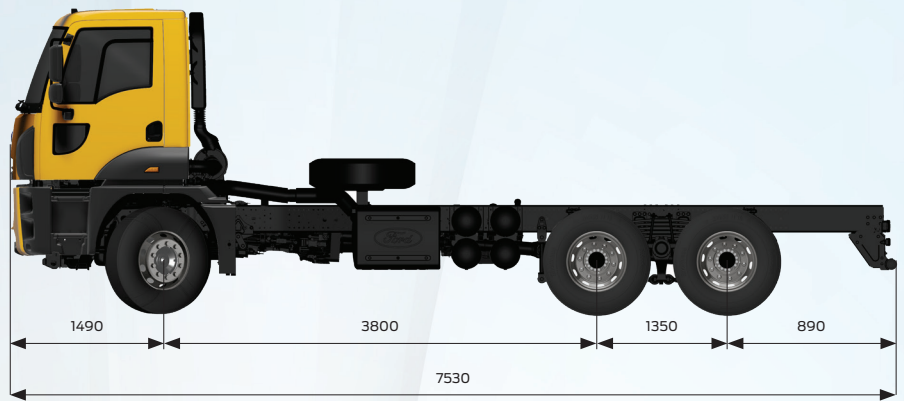


FORD TRUCKS 3542D EURO6



Basic Features

Vehicle Type	Tipper
Axle	6x4
Emission	Euro 6
Cabin Type	Day Cab
Wheelbase (mm)	3800

Engine

Type	Ecotorq 12,7 liters
Displacement (cc)	12740
Bore x Stroke	130 mm x 160 mm
Power	420 PS (308,9 kW) / 1800 rpm
Torque	2150 Nm / 1000-1300 rpm
Compression Ratio	17 +/- 0,5 : 1
Oil Filling Volume	50 L
Coolant Volume	57 L (77 L with Intarder)

Transmission

Clutch	430 mm Single Disc
Manuel Transmission / Ratios (1.gear - 16. gear)	ZF 16S 2230 (13,805-0,836)
Automated Transmission / Ratios (1.gear - 12. gear)	ZF 12 TX 2210 (16,688-1)

Steering

Power assisted single circuit

Chassis

Chassis Thickness	10 mm with Reinforcement
Chassis Strength	500 MPa
Suspension (Front / Rear)	90 mm Parabolic Leaf Springs / 100 mm Multileaf Tandem Suspension
Axle	Hub Reduction
Axle Ratio (Manual / Automatic)	4,08 / 3,57
Tyres	315/80 R 22,5
Wheel Rim	22,5 x 9 Steel

Braking System

Brakes (Ø mm x mm Length)	410 X 200, Z-Cam Drum Brake System
Braking System	Dual Brake Circuit - Air Processing Unit with Integrated Oil Separator and Heater
Engine Brake Power	max. 320 kW (Engine Level)
Intarder Power	max. 600 kW / continuous 160 kW

Electrical System

Battery	24V, 2 x 12V 150 Ah
Alternator / Starter Motor	130 A / 6,5 kW

Tanks

Fuel Tank	315 L Steel
SCR Tank	55 L



Sharing the load

Dimensions (mm)				
Front Overhang	1490			
Wheelbase	3800			
Overall Length	7530			
Distance Between 2 nd and 3 th Wheel Centers	1350			
Overall Cab Length	1820			
Overall Vehicle Width (Excluding Mirrors)	2540			
Chassis Width	770			
Rear Overhang	890			
Useful Chassis Length	5135			
Chassis Height - Front	1167			
Chassis Height - Rear	1185			
Ground Clearance - Front	382			
Ground Clearance - Rear	264			
Turning Radius	8790			
Weights (kg)				
	1. Axle	2. Axle	3. Axle	Total
Technically Permissible Weights	8000	13400	13400	34000
Kerb Weight	5252	2346	2315	9913
Payload	2748	11054	11085	24087
GVM (Legal)	8000	9500	9500	26000

STANDARD EQUIPMENT

- Air Conditioner
- AM/FM/Aux In/USB/Bluetooth
(Radio with Bluetooth)
- 4 Points Independent Cab Suspension for Day Cab
- Transmission Offset (double gear) PTO without Flange & Interior Control Unit
- Cruise Control
- Engine Brake
- Drum Brake
- Electrically Operated Windows
- Electrically Operated and Heated Side Mirrors
- Electrically Operated Headlamp Leveling
- Rake and Reach Adjustable Steering Column
- Heated and Air Suspended Driver Seat
- Switchable Air Compressor for Improved Fuel Economy
- Lumbar Support
- Front Vehicle Antiroll Bar
- Anti-Lock Brake System (ABS)
- Brake Lining Wear Indicator
- Immobilizer
- Single Key with Remote Control and Central Locking
- Home Safe Light
- Approach Light
- Differential Lock
- Digital Tachograph
- Front Towing Hooks (Double Hook)
- Ventilation Roof
- Short Bumper

OPTIONAL EQUIPMENT

- Transmission Direct (Double Gear) PTO with Flange
(includes Power Take off Control Unit)
- Automated Transmission
(With Normal Mode, Off-Road Mode, Rocking Mode)
- Engine Driven PTO*
- Intarder
- ADR Pack
- Wet Type Cab Heater
- Cold Pack with Wet Type Cab Heater and 225 Ah Battery
- Power Cab Tilting
- Rear Window **
- Double Passenger Seat
- ESP
- 3,5T Towing Capability
- 10T Towing Capability
- Manually Operated Sunroof
- Multileaf Spring Front Suspension
- Automatic Traction Control (ATC)
- Vertical Exhaust

* Available for Firefighter Pack Only

This leaflet includes products designed for Ford vehicles. It provides information about the current technical specifications and the standard or optional accessories available as of the date it was issued. Features of standard and optional accessories of the vehicles may be changed from time to time. For this reason, please consult our Authorized Dealers to obtain updated and accurate information on the features of the vehicle you wish to buy. For the aforementioned reason, this leaflet does not constitute an assurance as to the specifications listed herein. The images used in this leaflet may be different from the vehicles on sale. The technical specifications provided herein are for standard vehicles. Selection of any optional accessories might cause differences from these specifications.